

ROLL FEEDER TYPE 740 (A571)

This parts catalog is includes MB No 1 to 3

PARTS CATALOG

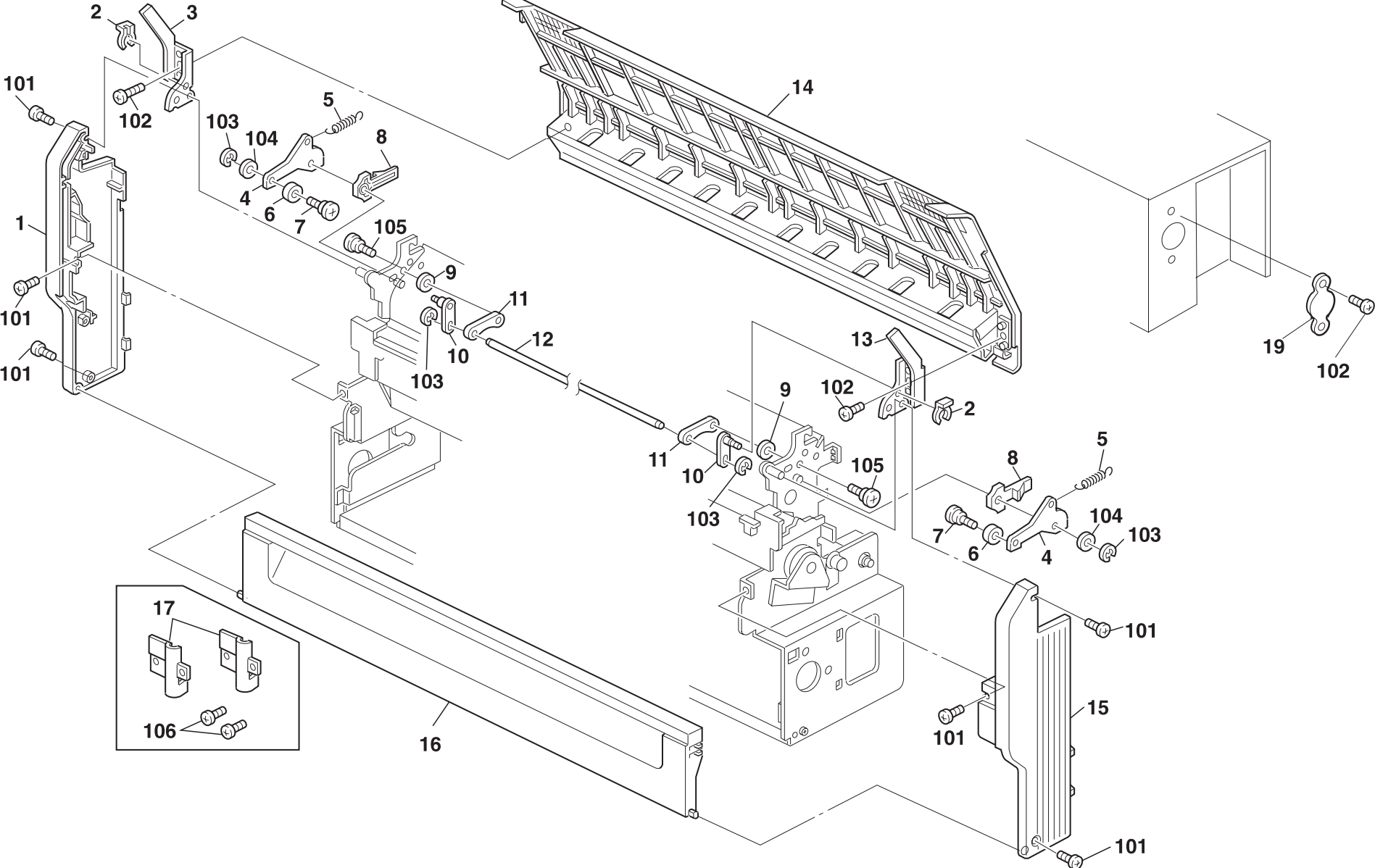
INTRODUCTION

This chapter instructs you the numbers and names of parts on this machine.

INDEX to PARTS CATALOG

1.EXTERIOR (A571)	2
2.DRIVE AND PAPER FEED (A571)	4
3.SPOOL UNIT (A571)	6
4.ELECTRICAL SECTION (A571).....	8
5.CUTTER UNIT (A571).....	10
6.CUTTER (A571)	12
PARTS INDEX	15

1.EXTERIOR (A571)



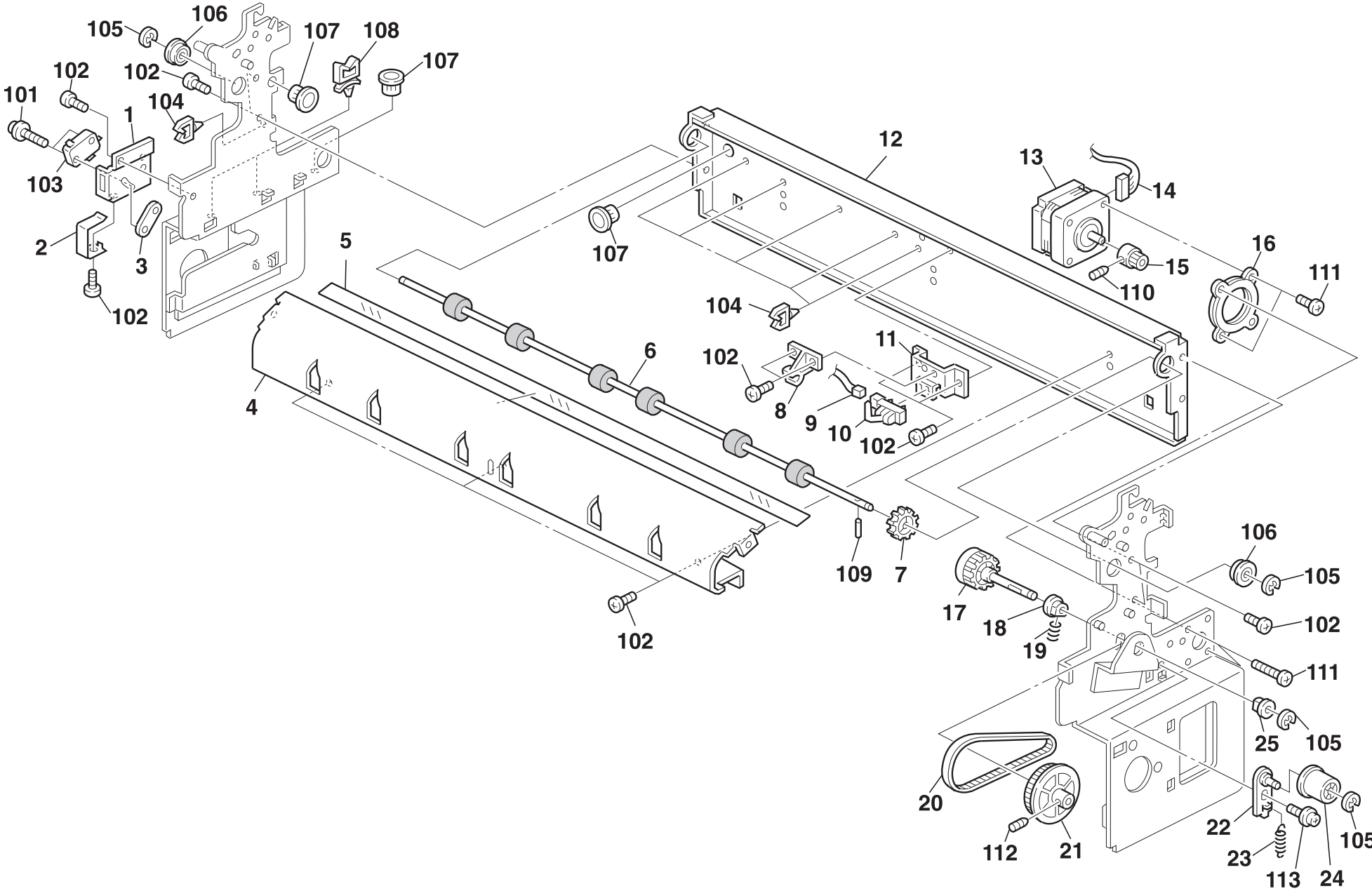
1.EXTERIOR (A571)

Index No.	Part No.	Description	Q'ty Per Assembly
1	A571 7404	Left Cover (A163 RIC/NRG)/(A251/A252)	1
1	A571 7428	Left Cover (A163 K+E)	1
1	A571 7418	Left Cover (A163 HOECHST/REGMA)	1
2	5447 2681	Snap Ring	2
3	A571 7395	Left Cover Bracket	1
4	A571 7393	Lock Arm	2
5	AA06 0606	Right Spring Arm	2
6	A571 7392	Lock Arm Guide	2
7	6803 2273	Stepped Screw - M4	2
8	A571 7391	Lock Arm Spacer	2
9	A109 6425	Brush Roller Spacer	2
10	A571 7187	Front Arm	2
11	A571 7186	Rear Arm	2
12	A571 7190	Guide Plate Support Shaft	1
13	A571 7394	Right Cover Bracket	1
14	A571 7396	Front Cover (A163 RIC/NRG)/(A251/A252)	1
14	A571 7420	Front Cover (A163 K+E)	1
14	A571 7410	Front Cover (A163 HOECHST/REGMA)	1
15	A571 7402	Right Cover (A163 RIC/NRG)/(A251/A252)	1
15	A571 7426	Right Cover (A163 K+E)	1
15	A571 7416	Right Cover (A163 HOECHST/REGMA)	1
16	A571 7406	Front Lower Cover	1
17	A571 6955	Harness Cover (A163 RIC/NRG)/(A251/A252)	2
17	A571 6957	Harness Cover (A163 K+E)	2
17	A571 6956	Harness Cover (A163 HOECHST/REGMA)	2
18	6803 2273	Stepped Screw - M4	2
19	A571 7479	Small Cap (A163 RIC/NRG)/(A251/A252)	1
19	A571 7499	Small Cap (A163 K+E)	1
19	A571 7498	Small Cap (A163 HOECHST/REGMA)	1



Index No.	Part No.	Description	Q'ty Per Assembly
101	0343 0080F	Philips Truss Head Screw - M3x8	
102	0414 0102B	Tapping Screw M4 X 10	
103	0720 0040Z	Retaining Ring - M4	
104	0701 0060Z	Flat Washer - M6	
105	0354 0060F	Philips Pan Head Screw - M4x6	

2.DRIVE AND PAPER FEED (A571)

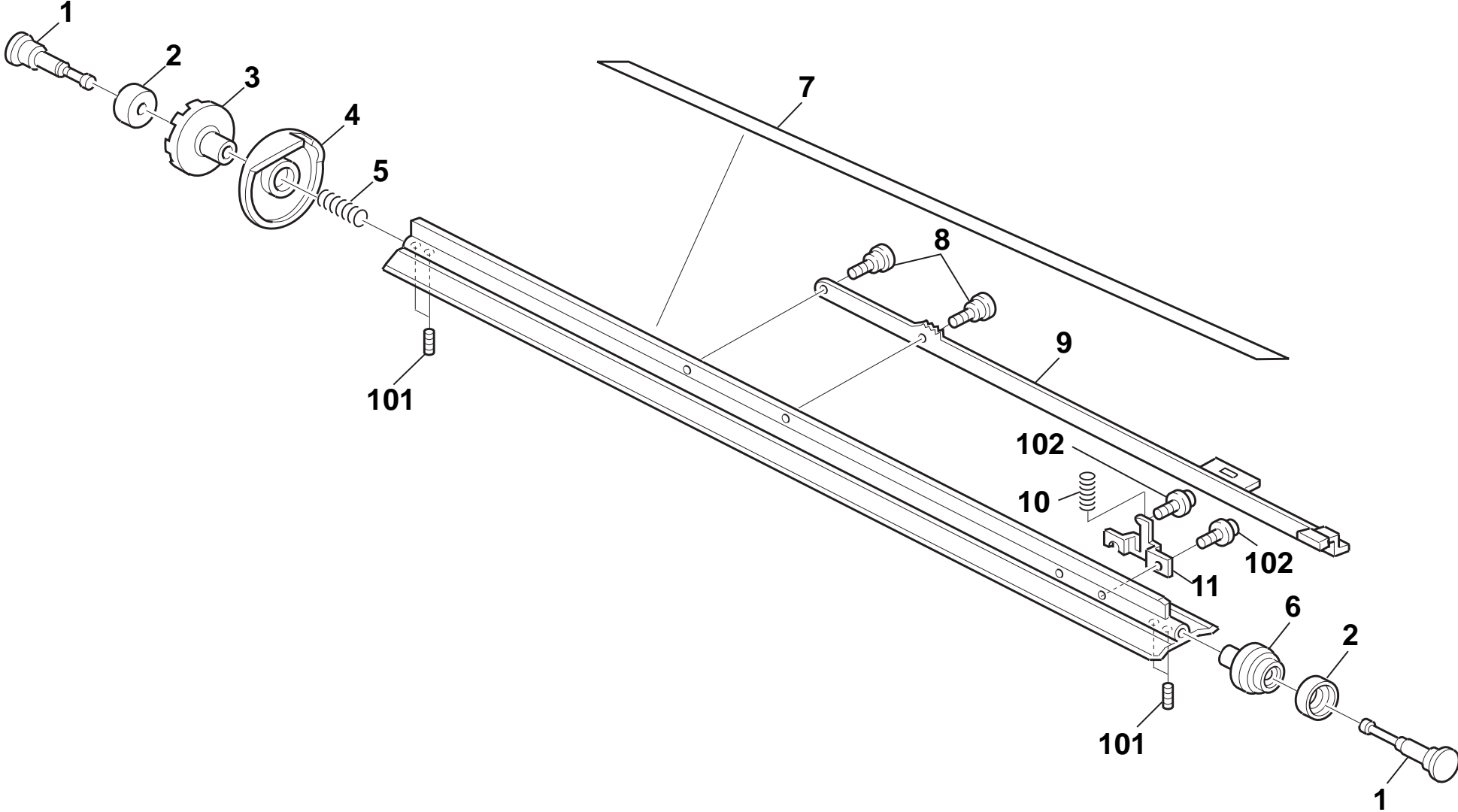


2.DRIVE AND PAPER FEED (A571)

Index No.	Part No.	Description	Q'ty Per Assembly
1	A571 7152	Sensor Bracket	1
2	A454 5570	Spring Plate	1
3	5056 0509	Nut Plate - Microswitch	1
4	A571 7172	Relay Guide Plate	1
5	A571 7173	Relay Guide Plate Sheet	1
6	AF02 3011	Exit Roller	1
7	A571 7215	Gear - 18Z	1
8	A163 6081	Arm Bushing	1
9	A571 5666	Sensor Harness	1
10	AW02 0008	Photointerruptor	1
11	A571 7148	Sensor Bracket	1
12	A571 7092	Upper Stay	1
13	AX05 0088	Motor - DC4.5W	1
14	A571 5670	Motor Harness	1
15	AB03 0508	Pulley - 16Z	1
16	A571 7458	Motor Cushion	1
17	A571 7389	Gear - 22Z	1
18	A571 7132	Bushing - 8x8	1
19	AA06 3088	Spring - Paper Feed Roller	1
20	A571 7126	Timing Belt - 440P2M6	1
21	AB03 0507	Pulley - 78Z	1
22	A571 7128	Pulley Bracket	1
23	AA06 0014	Spring	1
24	A571 7124	Tightener Pulley	1
25	5053 0223	Bushing - 8mm	1

Index No.	Part No.	Description	Q'ty Per Assembly
101	0951 3016B	Philips Screw With Washer - M3x16	
102	0314 0060B	Philips Pan Head Screw - M4x6	
103	1204 2184	Microswitch - 16A/AC250V	
104	1105 0199	Clamp	
105	0720 0060Z	Retaining Ring - M6	
106	0742 3008	Ball Bearing - 8x22x7	
107	1106 0411	Bushing - 11.5mm	
108	1105 0196	Harness Clamp	
109	0951 4006B	Philips Screw With Washer - M4x6	
110	0574 0050E	Hexagon Headless Set Screw - M4x5	
111	0314 0160B	Philips Pan Head Screw - M4x16	
112	0575 0050E	Hexagon Headless Set Screw - M5x5	

3.SPOOL UNIT (A571)

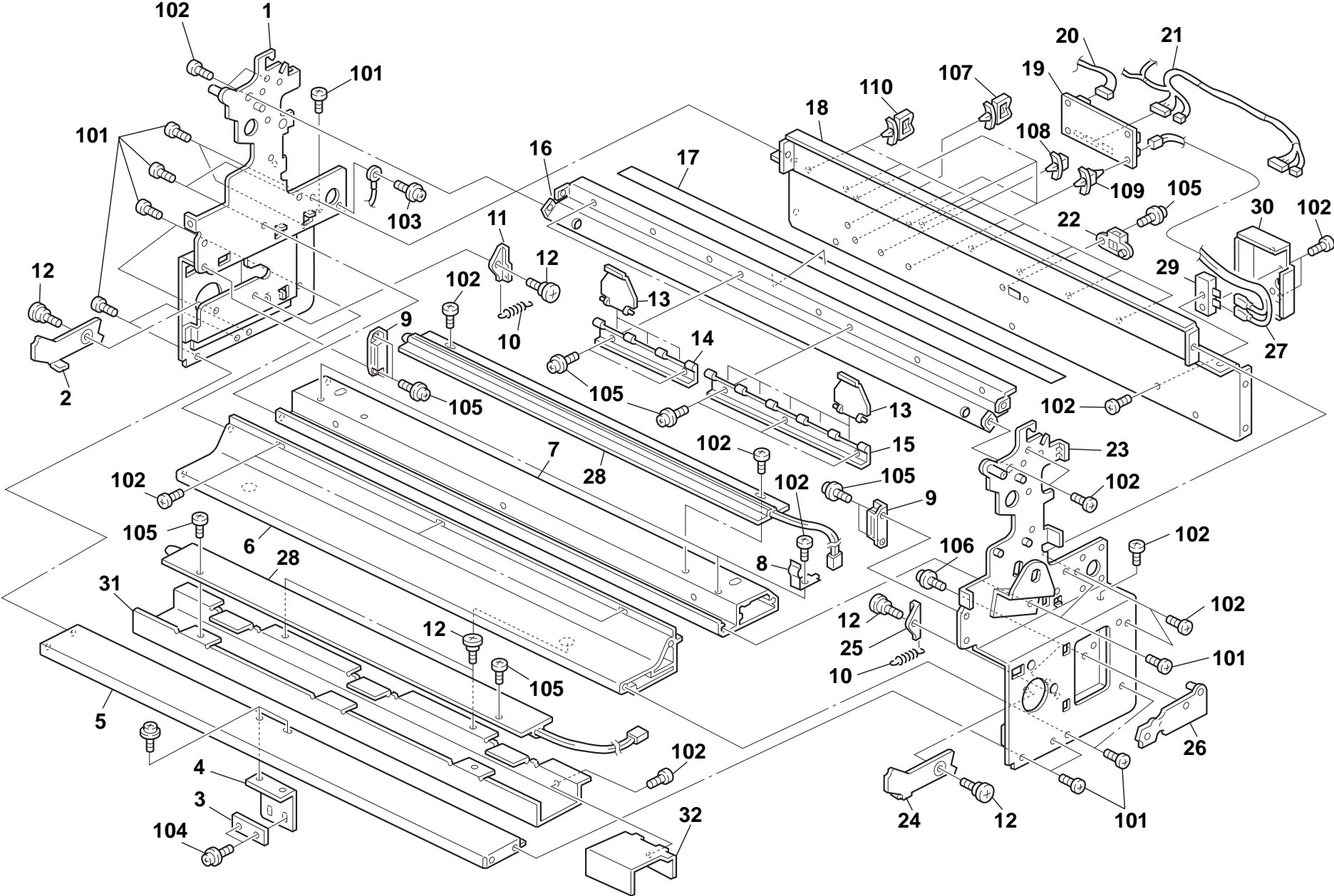


3.SPOOL UNIT (A571)

Index No.	Part No.	Description	Q'ty Per Assembly
*	A571 7072	Paper Spool Unit - LT	1
*	A571 7086	Paper Spool Unit - A4	1
1	AA14 8448	Paper Spool Shaft	2
2	A571 7454	Paper Spool Grip	2
3	A571 7453	Brake - Paper Spool Unit	1
3	A454 2707	O/O MB3	
4	5414 3533	Spindle Disk	1
5	5414 3534	Brake Spring	1
6	A571 7456	Paper Spool Coller	1
7	A571 7471	Scale Decal - LT	1
7	A571 7472	Scale Decal - A4	1
8	5413 1882	Stepped Screw	2
9	A090 2835	Paper Spool Lever	1
10	AA06 3223	Lever Spring	1
11	A090 2838	Paper Spool Lever Stopper	1

Index No.	Part No.	Description	Q'ty Per Assembly
101	0575 0050E	Hexagon Headless Set Screw - M5x5	
102	0951 4006B	Philips Screw With Washer - M4x6	

4.ELECTRICAL SECTION (A571)

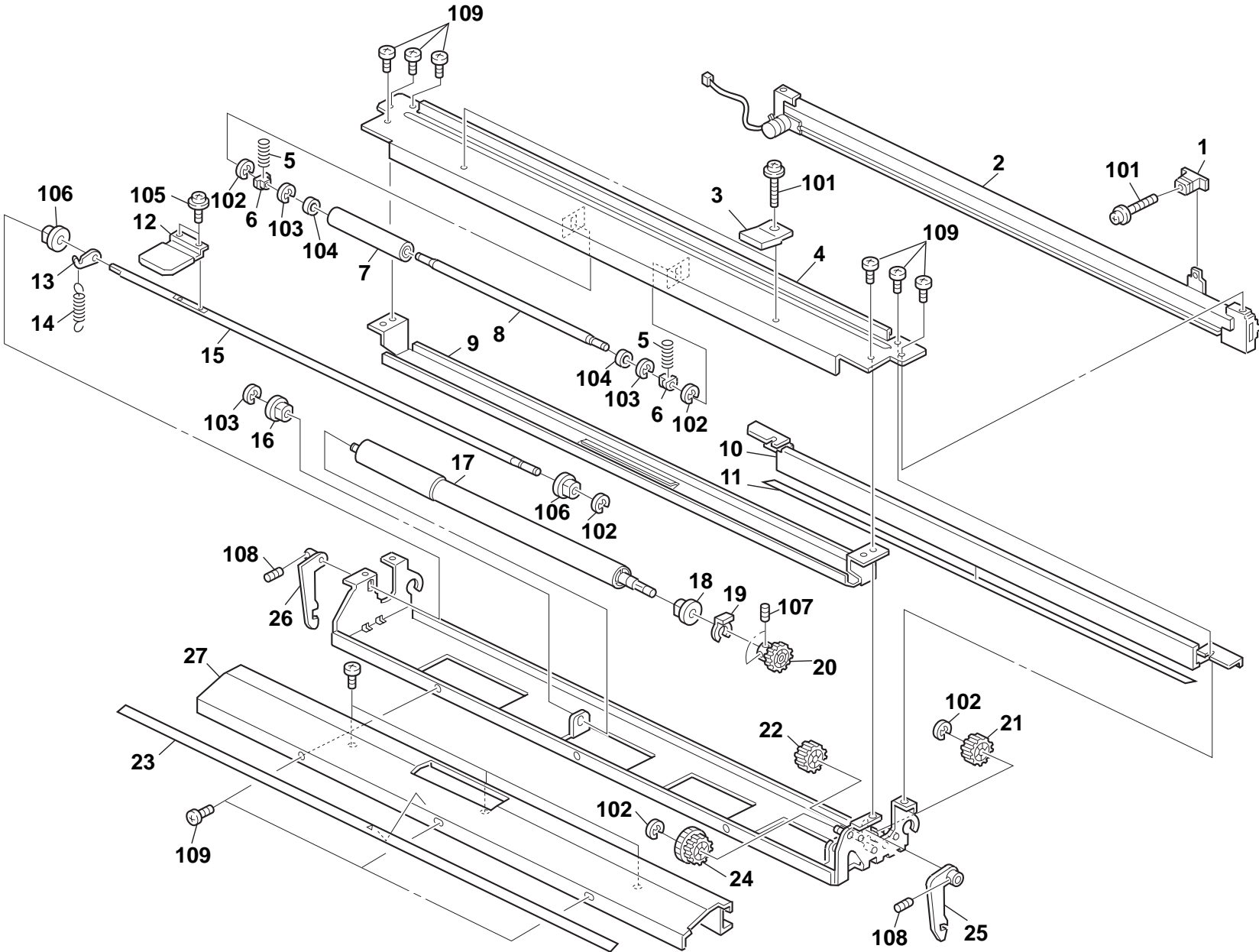


4.ELECTRICAL SECTION (A571)

Index No.	Part No.	Description	Q'ty Per Assembly
1	A571 7075	Left Side Plate	1
2	A571 7083	Left Paper Spool Guide	1
3	A571 6962	Roll Feeder Spacer	1
4	A571 6961	Roll Paper Angle	1
5	A571 7098	Front Lower Stay	1
6	A571 7094	Lower Stay	1
7	A571 7090	Middle Stay	1
8	A571 7053	Lock Plate Spring	2
9	AG07 0004	Magnetic Catch	2
10	5414 3537	Paper Spindle Spring	2
11	A571 7073	Left Stopper Lever	1
12	AA14 3005	Stepped Screw - M4x2.5	6
13	A571 7182	Guide Plate	13
14	A571 7183	Guide Plate Middle Bracket	1
15	A571 7185	Guide Plate End Bracket	2
16	A571 7163	Upper Front Stay	1
17	A571 7173	Relay Guide Plate Sheet	1
18	A571 7096	Rear Stay	1
19	A571 5240	Paper Feed Control Board	1
20	A571 5668	Cutter Harness	1
21	A571 5662	Roll Feeder Main Harness	1
22	AW01 0045	Paper End Sensor	1
23	A571 7058	Right Side Plate	1
24	A571 7067	Right Paper Spool Guide	1
25	A571 7071	Right Stopper Lever	1
26	A571 7051	Paper Spool Adjuster	1
27	A571 5661	AC Heater Harness	1
28	A163 5422	Heater - 300W 115V	1
28	A163 5423	Heater - 300W 230V	1
29	AW14 0002	Humidistat	1
30	A571 7466	Sensor Cover	1
31	A571 7464	Heater Cover	1
32	A571 7465	Small Harness Cover	1

Index No.	Part No.	Description	Q'ty Per Assembly
101	0314 0080B	Philips Pan Head Screw - M4x8	
102	0314 0060B	Philips Pan Head Screw - M4x6	
103	0951 4006B	Philips Screw With Washer - M4x6	
104	0951 4008B	Philips Screw With Washer - M4x8	
105	0951 3006B	Philips Screw With Flat Washer-M3x6	
106	0951 4006B	Philips Screw With Washer - M4x6	
107	1105 0201	Harness Clamp	
108	1105 0183	Spacer	
109	1105 0193	Nylon Stud	
110	1105 0196	Harness Clamp	

5.CUTTER UNIT (A571)

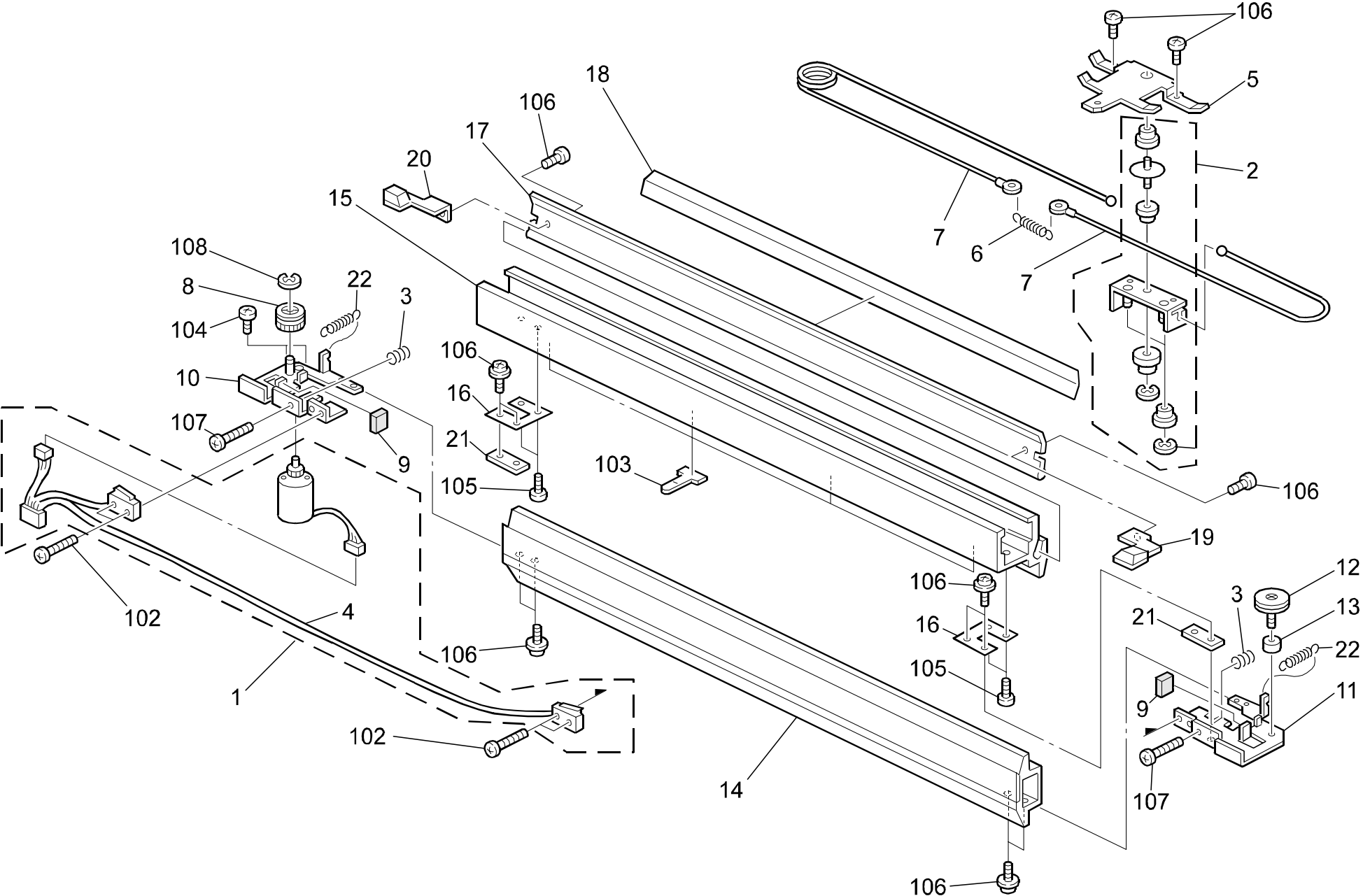


5.CUTTER UNIT (A571)

Index No.	Part No.	Description	Q'ty Per Assembly
1	A571 7361	Cutter Unit Grip	1
2	AJ03 0005	Cutter Unit	1
3	A571 7326	Front Release Lever	1
4	A571 7305	Reinforcement Plate	1
5	AA06 3088	Spring - Paper Feed Roller	2
6	5442 2751	Bushing - Upper Registration Roller	2
7	AF02 2033	Paper Feed Roller	1
8	AA14 0256	Paper Feed Roller Shaft	1
9	A571 7380	Feed Roller Guide Plate	1
10	A571 7358	Cutter Unit Cover	1
11	A571 7362	Exit Sheet - Cutter Unit	1
12	A571 7323	Release Lock Lever	1
13	A571 7342	Lock Hook Bracket	1
14	G011 1154	Lock Spring	1
15	A571 7340	Lock Hook Shaft	1
16	5053 0223	Bushing - 8mm	1
17	AF02 0340	Feed Roller	1
18	5414 3327	Bushing - 12x18x8	1
19	A571 7378	C-ring - 10m	1
20	A571 7370	Gear - 31Z	1
21	AB01 3936	Gear - 23Z	1
22	AB01 3934	Gear - 23Z	1
23	A571 7471	Scale Decal - LT	1
23	A571 7472	Scale Decal - A4	1
24	A571 7320	Knob Gear - 31Z	1
25	A571 7334	Left Lock Hook	1
26	A571 7328	Right Lock Hook	1
27	A571 7368	Feed Roller Guide Plate	1

Index No.	Part No.	Description	Q'ty Per Assembly
101	0951 4006B	Philips Screw With Washer - M4x6	
102	0720 0040Z	Retaining Ring - M4	
103	0720 0060Z	Retaining Ring - M6	
104	0740 1308	Ball Bearing - 8x28x9mm	
105	0951 3006B	Philips Screw With Flat Washer-M3x6	
106	0805 3385	Bushing - 6mm	
107	0574 0050E	Hexagon Headless Set Screw - M4x5	
108	0575 0050E	Hexagon Headless Set Screw - M5x5	
109	0354 0060F	Philips Pan Head Screw - M4x6	

6.CUTTER (A571)



6.CUTTER (A571)

Index No.	Part No.	Description	Q'ty Per Assembly
*	AJ03 0005	Cutter Unit	1
1	A571 7515	Motor - DC24V 7.2W	1
2	A571 7514	Cutter	1
3	A571 7624	Pressure Spring	2
4	A571 7661	Cutter Sensor Ass'y	1
5	A571 7652	Cutter Holder	1
6	A571 7648	Wire Spring	1
7	A571 7647	Cutter Drive Wire	2
8	A571 7634	Gear - 44Z	1
9	A571 7627	Cushion	2
9	A571 7626	O/O MB1	
10	A571 7635	Left Frame	1
10	A571 7630	O/O MB1	
11	A571 7628	Right Frame	1
11	A571 7620	O/O MB1	
12	A571 7621	Cutter Pulley	1
13	A571 7622	Cutter Pulley Collar	1
14	A571 7511	Cutter	1
15	A571 7600	Slide Rail	1
16	A571 7602	Spring Plate	2
17	A571 7601	Cutter Paper Guide	1
18	A571 7609	Cutter Sheet	1
19	A571 7603	Right Release Knob	1
20	A571 7606	Left Release Knob	1
21	A571 7610	Spacer - 1.5x7x31	2
22	A571 7625	Spring	2

Index No.	Part No.	Description	Q'ty Per Assembly
101	0313 0040B	Philips Pan Head Screw - M3x4	
102	0801 1245	Philips Pan Head Screw - M2.3x8	
103	1105 0109	Cord Keep	
104	0800 0072B	Philips Pan Head Screw - M2.6x4	
105	0313 0030B	Philips Pan Head Screw - M3x3	
106	0957 3006B	Screw - M3x6	
107	0313 0100B	Philips Pan Head Screw - M3x10	
108	0720 0030Z	Retaining Ring - M3	

PARTS INDEX

Part No.	Description	Page and Index No.
A571 5240	Paper Feed Control Board	9- 19
A571 5661	AC Heater Harness	9- 27
A571 5662	Roll Feeder Main Harness	9- 21
A571 5666	Sensor Harness	5- 9
A571 5668	Cutter Harness	9- 20
A571 5670	Motor Harness	5- 14
A571 6955	Harness Cover	3- 17
A571 6961	Roll Paper Angle	9- 4
A571 6962	Roll Feeder Spacer	9- 3
A571 7051	Paper Spool Adjuster	9- 26
A571 7053	Lock Plate Spring	9- 8
A571 7058	Right Side Plate	9- 23
A571 7067	Right Paper Spool Guide	9- 24
A571 7071	Right Stopper Lever	9- 25
A571 7072	Paper Spool Unit - LT	7- *
A571 7073	Left Stopper Lever	9- 11
A571 7075	Left Side Plate	9- 1
A571 7083	Left Paper Spool Guide	9- 2
A571 7086	Paper Spool Unit - A4	7- *
A571 7090	Middle Stay	9- 7
A571 7092	Upper Stay	5- 12
A571 7094	Lower Stay	9- 6
A571 7096	Rear Stay	9- 18
A571 7098	Front Lower Stay	9- 5
A571 7124	Tightener Pulley	5- 24
A571 7126	Timing Belt - 440P2M6	5- 20
A571 7128	Pulley Bracket	5- 22
A571 7132	Bushing - 8x8	5- 18
A571 7148	Sensor Bracket	5- 11
A571 7152	Sensor Bracket	5- 1
A571 7163	Upper Front Stay	9- 16
A571 7172	Relay Guide Plate	5- 4
A571 7173	Relay Guide Plate Sheet	5- 5
A571 7173	Relay Guide Plate Sheet	9- 17
A571 7182	Guide Plate	9- 13

Part No.	Description	Page and Index No
A571 7183	Guide Plate Middle Bracket	9- 14
A571 7185	Guide Plate End Bracket	9- 15
A571 7186	Rear Arm	3- 11
A571 7187	Front Arm	3- 10
A571 7190	Guide Plate Support Shaft	3- 12
A571 7215	Gear - 18Z	5- 7
A571 7305	Reinforcement Plate	11- 4
A571 7320	Knob Gear - 31Z	11- 24
A571 7323	Release Lock Lever	11- 12
A571 7326	Front Release Lever	11- 3
A571 7328	Right Lock Hook	11- 26
A571 7334	Left Lock Hook	11- 25
A571 7340	Lock Hook Shaft	11- 15
A571 7342	Lock Hook Bracket	11- 13
A571 7358	Cutter Unit Cover	11- 10
A571 7361	Cutter Unit Grip	11- 1
A571 7362	Exit Sheet - Cutter Unit	11- 11
A571 7368	Feed Roller Guide Plate	11- 27
A571 7370	Gear - 31Z	11- 20
A571 7378	C-ring - 10m	11- 19
A571 7380	Feed Roller Guide Plate	11- 9
A571 7389	Gear - 22Z	5- 17
A571 7391	Lock Arm Spacer	3- 8
A571 7392	Lock Arm Guide	3- 6
A571 7393	Lock Arm	3- 4
A571 7394	Right Cover Bracket	3- 13
A571 7395	Left Cover Bracket	3- 3
A571 7396	Front Cover	3- 14
A571 7402	Right Cover	3- 15
A571 7404	Left Cover	3- 1
A571 7406	Front Lower Cover	3- 16
A571 7454	Paper Spool Grip	7- 2
A571 7456	Paper Spool Coller	7- 6
A571 7458	Motor Cushion	5- 16
A571 7464	Heater Cover	9- 31

Part No.	Description	Page and Index No.
A571 7465	Small Harness Cover	9- 32
A571 7466	Sensor Cover	9- 30
A571 7471	Scale Decal - LT	7- 7
A571 7471	Scale Decal - LT	11- 23
A571 7472	Scale Decal - A4	7- 7
A571 7472	Scale Decal - A4	11- 23
A571 7479	Small Cap	3- 19
A571 7511	Cutter	13- 14
A571 7514	Cutter	13- 2
A571 7515	Motor - DC24V 7.2W	13- 1
A571 7600	Slide Rail	13- 15
A571 7601	Cutter Paper Guide	13- 17
A571 7602	Spring Plate	13- 16
A571 7603	Right Release Knob	13- 19
A571 7606	Left Release Knob	13- 20
A571 7609	Cutter Sheet	13- 18
A571 7610	Spacer - 1.5x7x31	13- 21
A571 7620	Right Frame	13- 11
A571 7621	Cutter Pulley	13- 12
A571 7622	Cutter Pulley Collar	13- 13
A571 7624	Pressure Spring	13- 3
A571 7625	Spring	13- 22
A571 7626	Cushion	13- 9
A571 7630	Left Frame	13- 10
A571 7634	Gear - 44Z	13- 8
A571 7647	Cutter Drive Wire	13- 7
A571 7648	Wire Spring	13- 6
A571 7652	Cutter Holder	13- 5
A571 7661	Cutter Sensor Ass'y	13- 4

Part No.	Description	Page and Index No.
AA06 0014	Spring	5- 23
AA06 0606	Right Spring Arm	3- 5
AA06 3088	Spring - Paper Feed Roller	5- 19
AA06 3088	Spring - Paper Feed Roller	11- 5
AA06 3223	Lever Spring	7- 10
AA14 0256	Paper Feed Roller Shaft	11- 8
AA14 3005	Stepped Screw - M4x2.5	9- 12
AA14 8448	Paper Spool Shaft	7- 1
AB01 3934	Gear - 23Z	11- 22
AB01 3936	Gear - 23Z	11- 21
AB03 0507	Pulley - 78Z	5- 21
AB03 0508	Pulley - 16Z	5- 15
AF02 0340	Feed Roller	11- 17
AF02 2033	Paper Feed Roller	11- 7
AF02 3011	Exit Roller	5- 6
AG07 0004	Magnetic Catch	9- 9
AJ03 0005	Cutter Unit	11- 2
AW01 0045	Paper End Sensor	9- 22
AW02 0008	Photointerruptor	5- 10
AW14 0002	Humidistat	9- 29
AX05 0088	Motor - DC4.5W	5- 13
G011 1154	Lock Spring	11- 14

Part No.	Description	Page and Index No.
A090 2835	Paper Spool Lever	7- 9
A090 2838	Paper Spool Lever Stopper	7- 11
A109 6425	Brush Roller Spacer	3- 9
A163 5422	Heater - 300W 115V	9- 28
A163 5423	Heater - 300W 230V	9- 28
A163 6081	Arm Bushing	5- 8
A454 2707	Brake - Paper Spool Unit	7- 3
A454 5570	Spring Plate	5- 2
5053 0223	Bushing - 8mm	5- 25
5053 0223	Bushing - 8mm	11- 16
5056 0509	Nut Plate - Microswitch	5- 3
5413 1882	Stepped Screw	7- 8
5414 3327	Bushing - 12x18x8	11- 18
5414 3533	Spindle Disk	7- 4
5414 3534	Brake Spring	7- 5
5414 3537	Paper Spindle Spring	9- 10
5442 2751	Bushing - Upper Registration Roller	11- 6
5447 2681	Snap Ring	3- 2
6803 2273	Stepped Screw - M4	3- 7
6803 2273	Stepped Screw - M4	3- 18

Part No.	Description	Page and Index No.
0313 0030B	Philips Pan Head Screw - M3x3	13-105
0313 0040B	Philips Pan Head Screw - M3x4	13-101
0313 0100B	Philips Pan Head Screw - M3x10	13-107
0314 0060B	Philips Pan Head Screw - M4x6	5-102
0314 0060B	Philips Pan Head Screw - M4x6	9-102
0314 0080B	Philips Pan Head Screw - M4x8	9-101
0314 0160B	Philips Pan Head Screw - M4x16	5-111
0343 0080F	Philips Truss Head Screw - M3x8	3-101
0354 0060F	Philips Pan Head Screw - M4x6	3-105
0354 0060F	Philips Pan Head Screw - M4x6	11-109
0414 0102B	Tapping Screw M4 X 10	3-102
0574 0050E	Hexagon Headless Set Screw - M4x5	5-110
0574 0050E	Hexagon Headless Set Screw - M4x5	11-107
0575 0050E	Hexagon Headless Set Screw - M5x5	5-112
0575 0050E	Hexagon Headless Set Screw - M5x5	7-101
0575 0050E	Hexagon Headless Set Screw - M5x5	11-108
0701 0060Z	Flat Washer - M6	3-104
0720 0040Z	Retaining Ring - M4	3-103
0720 0040Z	Retaining Ring - M4	11-102
0720 0060Z	Retaining Ring - M6	5-105
0720 0060Z	Retaining Ring - M6	11-103
0740 1308	Ball Bearing - 8x28x9mm	11-104
0742 3008	Ball Bearing - 8x22x7	5-106
0800 0072B	Philips Pan Head Screw - M2.6x4	13-104
0801 1245	Philips Pan Head Screw - M2.3x8	13-102
0805 3385	Bushing - 6mm	11-106
0951 3006B	Philips Screw With Flat Washer-M3x6	9-105
0951 3006B	Philips Screw With Flat Washer-M3x6	11-105
0951 3016B	Philips Screw With Washer - M3x16	5-101
0951 4006B	Philips Screw With Washer - M4x6	5-109
0951 4006B	Philips Screw With Washer - M4x6	7-102
0951 4006B	Philips Screw With Washer - M4x6	9-103
0951 4006B	Philips Screw With Washer - M4x6	9-106
0951 4006B	Philips Screw With Washer - M4x6	11-101
0951 4008B	Philips Screw With Washer - M4x8	9-104

Part No.	Description	Page and Index No.
0957 3006B	Screw - M3x6	13-106
1105 0109	Cord Keep	13-103
1105 0183	Spacer	9-108
1105 0193	Nylon Stud	9-109
1105 0196	Harness Clamp	5-108
1105 0196	Harness Clamp	9-110
1105 0199	Clamp	5-104
1105 0201	Harness Clamp	9-107
1106 0411	Bushing - 11.5mm	5-107
1204 2184	Microswitch - 16A/AC250V	5-103

Part No.	Description	Page and Index No